

PPM-100 Advanced Coherent Technologies

PPM-100 (Power Processing Module) is a lightweight, flexible, COTS CPU/GPU computing solution capable of handling real-time image, video and signal processing, data storage, and sensor control all in one compact, low-cost solution

Key Features

- Intel® Core™ i7 processor
- NVIDIA CUDA capable graphics processor
- Expandable to 2TB of removable storage
- Flexible IO configuration
- Expandable to 16GB of memory
- Tier 2 UAS capable
- Optional internal digital video compression
- Flight tested and proven on multiple UAS platforms



PPM
100
Power Processing Module



ADVANCED COHERENT
TECHNOLOGIES

Seeing *Beyond* the Surface

Internal Processing Components

Processor (CPU)	Intel® Core™ i7-3612QM 35W Max
Graphics (GPU)	NVIDIA GT640 2GB 65W Max
System Memory (RAM)	8 GB (2 x 4GB), DDR3-1600 Expandable to 16GB
Hard Drive, Internal	128GB SSD OS Drive, Expandable to 1TB
Hard Drive, Removable	2 x 480GB SSD (RAID 0, 1 Available, Expandable to 2TB)
Operating System	Windows Linux Available
Power Distribution Unit (PDU)	HTTP Web Server Total Power Load: 400W (steady state) Input Voltage: 18-36 VDC Isolated Outputs: (1) 28V 300W (4) 12V 150W (1) 1.21 -12 VDC 1A Max
*MIL-STD-704F Compliant	
Video Encoder (Option)	AXIS Q7401
Light Meter (Option)	Thorlabs PM100USB
Light Sensor (Option)	Thorlabs 121C (Internal or External) (S120VC, S120C, & S122C Available)

Mechanical Specifications

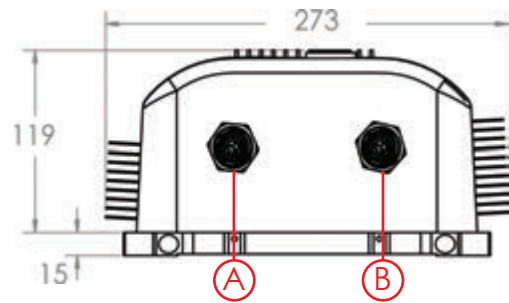
Weight	5 kg (11 lbs) w/fans 5.8 kg (12.8 lbs)
Dimensions	347 x 273 x 134mm (13.7 x 10.8 x 5.3 inches) w/fans 347 x 302 x 172mm (13.7 x 11.86 x 6.75 inches)

Add-ons

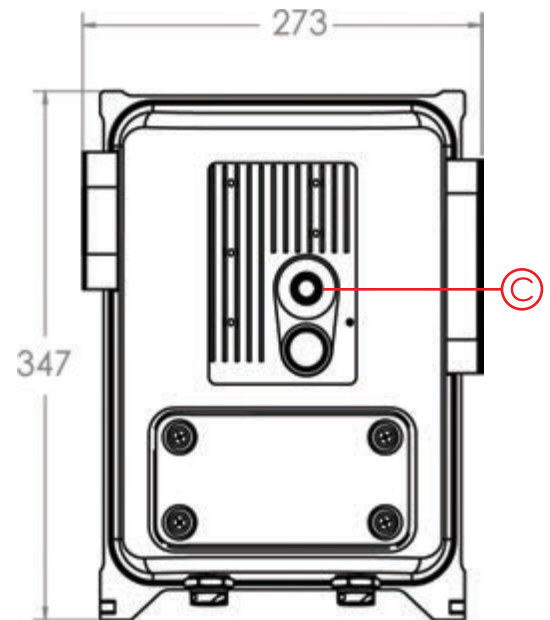
External Fans	3 Heatsink Fans
---------------	-----------------

I/O

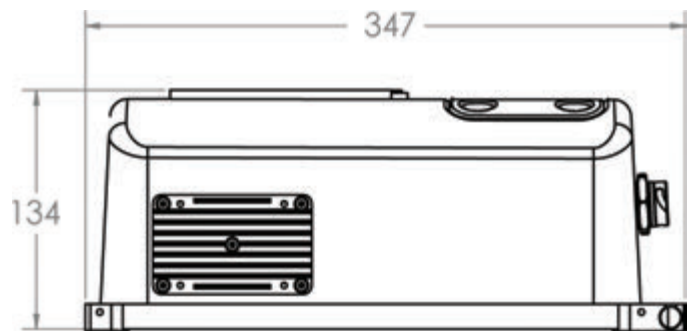
A - Power DownLink	18-36 VDC (Input Power) 100/10 Ethernet (1 port)
B - Payload Connector	28V 300W (Output Power) Gigabit Ethernet (1 port) RS-232 (1 ports) CAN Bus (1 port) Coax Video (1 port) 5V Trigger Line (1 port)
C - Shore Power Connector	22-36 VDC (Input Power) Gigabit Ethernet (1 port)



Front View



Top View



Side View

Measurements displayed in mm



ADVANCED COHERENT
TECHNOLOGIES

For more information:
Advanced Coherent Technologies
2830 Shelter Island Dr.
San Diego, CA 92106
USA
P: +1.619.450.8983
E: sales@Advanced-Coherent.com
www.Advanced-Coherent.com

PPM
100
Power Processing Module