

EYE-550 Advanced Coherent Technologies

Wide Area Mapper

The EYE-550 gimbal is designed for collecting wide area color maps in the visible range. In conjunction with our PPM-100 and mapping software, the gimbal can be used to autonomously collect imagery with constant overlap over the flight pattern.

With lateral stepping, the area coverage rate can be increased 4-5 times to replace current multi-camera staring sensors that have much higher SWaP requirements.

Key Features

- Tier 2 UAV capable - small, lightweight, low power
- 29MP High-Sensitivity spectral CCD camera
- 85mm FL (fixed focus)
- Laser range finder
- Sony video camera with variable zoom
- ACT payload designed with standard Cloud Cap TASE400e® gimbal
- Cloud Cap ViewPoint® compatible
- Designed to scan a wide area in minimal passes



*Third Party Software



ADVANCED COHERENT
TECHNOLOGIES

3D Mapping

Seeing *Beyond* the Surface

29 MP Camera

Cameras	Allied Vision GT6600 KAI-29050 chip
Image Size	6576 x 4384 pixels 5.5 µm pixel size
Frame Rate	up to 4 frames per second
Focal Length	85mm, Nikkor
Field of View	24 deg

Laser Range Finder

Manufacture	Vectronix Inc
Model	LRF5020

Payload Specifications

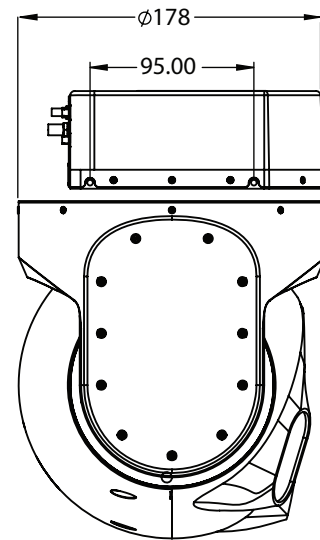
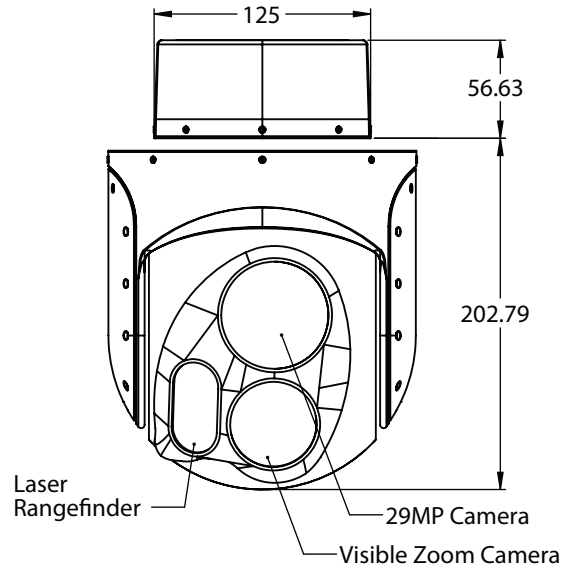
Size	178 x 178 x 260 mm
Diameter	178 mm
Weight	8 lb
Power	<100 watts (steady state) ~180 watts (peak)

Video System

Camera	Sony FCB_EX1020
Chip	Sony 1/4-type EXview HAD CCD
Zoom	36x optical zoom
Data Format	NTSC Video - 30 Hz

Payload Performance

Slew Rate	150 deg/sec
Payload Stabilization	2-axis, <75 µRAD jitter
Rotation Limit	360 deg continuous pan



Measurements displayed in mm



ADVANCED COHERENT
TECHNOLOGIES

For more information:
Advanced Coherent Technologies
2830 Shelter Island Dr.
San Diego, CA 92106
USA
P: +1.619.450.8983
E: sales@Advanced-Coherent.com
www.Advanced-Coherent.com

