

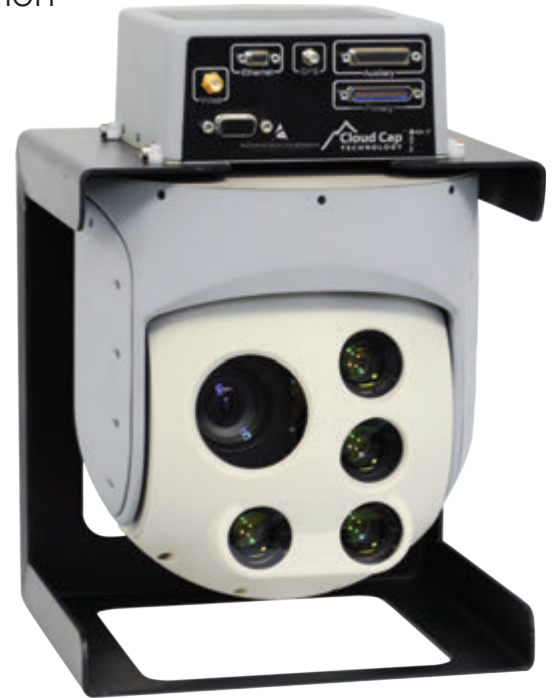
# EYE-510 Advanced Coherent Technologies

## Multispectral Imaging System

The EYE-510 gimbal is designed for visible/near-infrared multispectral imaging applications. Using four low-noise, highly sensitive CCD cameras with discrete spectral filters, the EYE-510 is ideal for low-contrast target detection across a range of background environments.

### Key Features

- Tier 2 UAV capable - small, lightweight, low power
- Focal length and spectral filtering of four CCD cameras can be selected to match your application
- Sony video camera with variable zoom
- ACT payload designed with standard Cloud Cap TASE400e® gimbal
- Cloud Cap ViewPoint® compatible
- Purchase with ACT PPM-100 for complete system with real-time target detection of terrestrial and/or aquatic targets using multispectral image processing



Automatic Target Detection



ADVANCEDCOHERENT  
TECHNOLOGIES

Seeing *Beyond* the Surface

## Low Contrast System

Prosilica Cameras	4 aperture synchronized, 12-bit CCD cameras with selectable filters and/or polarizers
Spectral Region	VNIR, 400-850 nm
Spectral Bands	Selectable over the VNIR range depending on mission. Bandwidths range from 10 nm to >40 nm
Image Size	1360 x 1024 pixels, 6.45 $\mu$ m pixel size
Spatial Resolution	Multiple lenses are available, ranging from 8-100 mm, delivering resolutions (GSD) from 19-2.2 inches from a 2000 foot altitude
Field of View	Ranging from 5.5-50 degrees full angle depending on lens selection
Frame Rate	Up to 3 frames per second (processing dependent)



## Payload Specifications

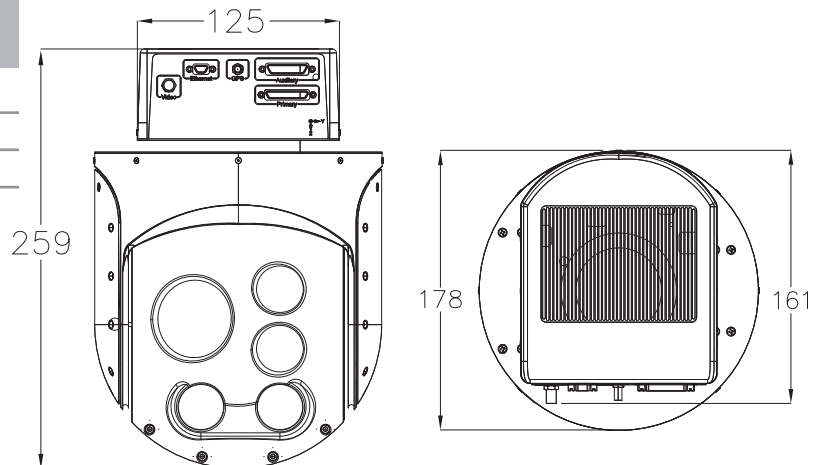
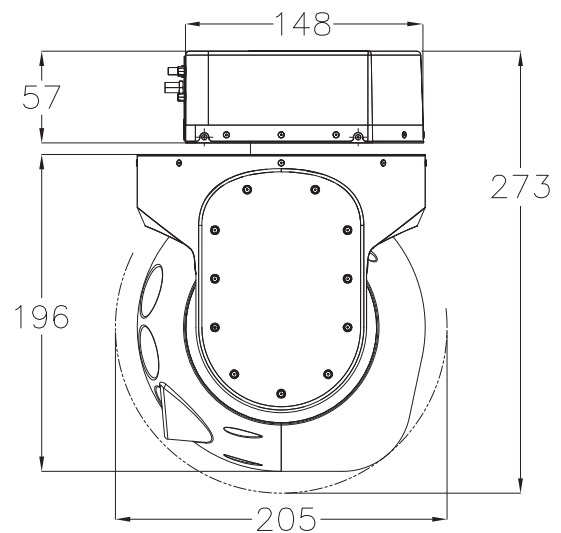
Size	178 x 178 x 259 mm
Diameter	178 mm
Weight	8.1 lbs
Power	<100 watts (steady state) ~180 watts (peak)

## Video System

Camera	Sony FCB_EX1020
Chip	Sony 1/4-type EXview HAD CCD
Zoom	36x optical zoom
Data Format	NTSC Video - 30 Hz

## Payload Performance

Slew Rate	150 deg/sec
Payload Stabilization	2-axis, <75 $\mu$ RAD jitter
Rotation Limit	360 deg continuous pan



Measurements displayed in mm



**ADVANCED COHERENT**  
TECHNOLOGIES

**For more information:**  
Advanced Coherent Technologies  
2830 Shelter Island Dr.  
San Diego, CA 92106  
USA  
P: +1.619.450.8983  
E: sales@Advanced-Coherent.com  
www.Advanced-Coherent.com

